

The waterline heating control has been developed to provide a temperature , control system for room heating / cooling, integrating the switching of primary heating sources with the control of water temperature and mixing devices. This ensures the best possible comfort conditions and also reduces energy consumption.

TECHNICAL DATA

Operating voltage : 230Vac +10%

Operating temperature :-20 to 60°C

Max actuators (Master 8 zones+2Slaves 8 zones) :24

Actuator contact :Triac

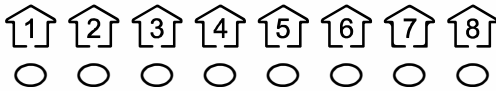
Pump contact : Max Relay 8(5)A.

Volt free contact :Max Relay 8(5)A

Dimensions : 280x 110x 40mm

LED

 Power indicator, when power input, the red indicator lit up.



When 1# to 8# rooms /zones control indicate output, the green indicator lit up.

 /S Signal indicator:

When water radiant boiler and auxiliary circulating pump start work, the green indicator lit up.

※ When the 8 room channel lights of output stop all, any room channel light restart the output, main pump and boiler will be delay output 3 to 5 minutes.

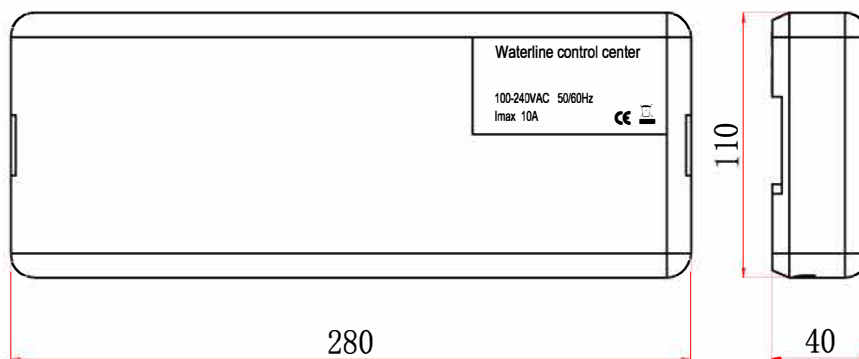


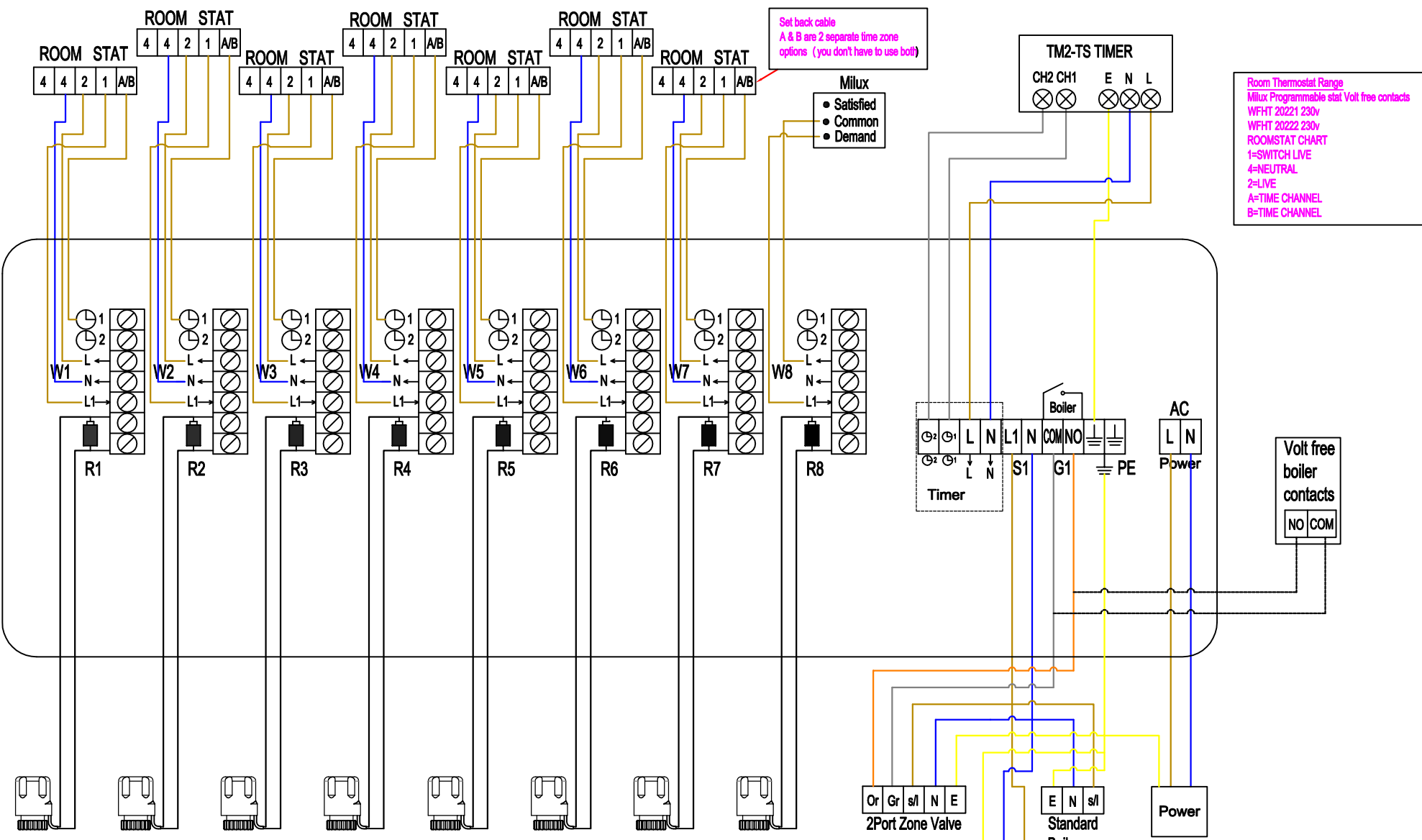
Fig.1 . Size
L.280mm X W.110mm X H.40mm

Master connecting box

Set back cable
A & B are 2 separate time zone
options (you don't have to use both)

- Milux
- Satisfied
 - Common
 - Demand

Room Thermostat Range
Milux Programmable stat Volt free contacts
WFHT 20221 230v
WFHT 20222 230v
ROOMSTAT CHART
1=SWITCH LIVE
4=NEUTRAL
2=LIVE
A=TIME CHANNEL
B=TIME CHANNEL



- a) ⓐ1-ⓐ2: Timer
- b) W1-W8: Room thermostat sub unit
- c) L: Line voltage N: Neutral voltage
- d) L1: line voltage of load
- e) R1-R8 : Actuator sub unit
- f) S1: Hot water circulating pump 250VAC,8(5)A output
- g) G1: volt-free output for boiler (<3A),linkage control.
- h) PE: GND
- i) AC: Power supply 100-240VAC,50/60Hz

Actuator

- 2 Port Zone valve wiring:
- L1: Brown
 - N: Blue
 - COM: Grey
 - NO: Orange
 - PE: G. Yellow

Under Floor Heating Pump

Volt free boiler contacts

NO COM